

(19) World Intellectual Property Organization
International Bureau



(43) International Publication Date
31 January 2002 (31.01.2002)

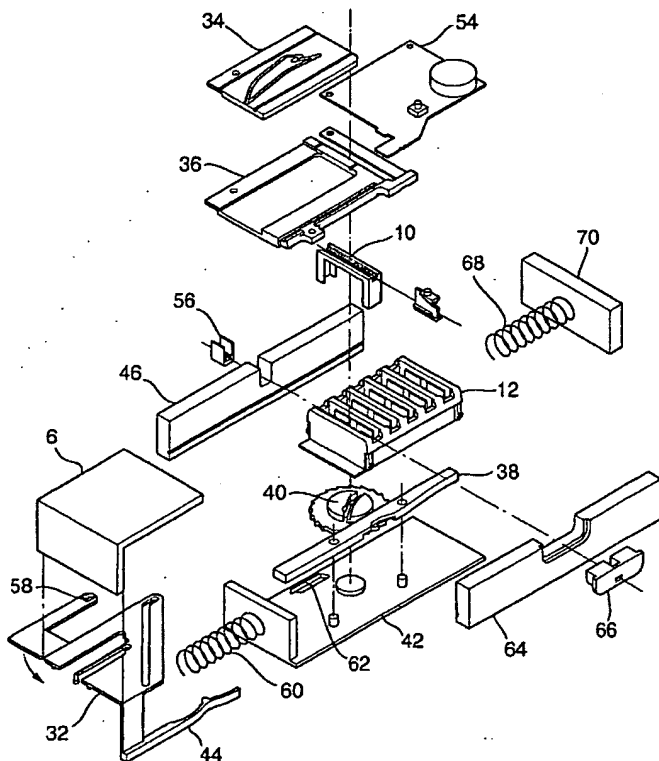
PCT

(10) International Publication Number
WO 02/08753 A2

- (51) International Patent Classification: G01N 33/50
- (21) International Application Number: PCT/GB01/03195
- (22) International Filing Date: 17 July 2001 (17.07.2001)
- (25) Filing Language: English
- (26) Publication Language: English
- (30) Priority Data: 0017737.8 20 July 2000 (20.07.2000) GB
- (71) Applicant: HYPOGUARD LIMITED [GB/GB]; Dock Lane, Melton, Woodbridge IP12 1PE (GB).
- (72) Inventors: WOODHEAD, Andrew, James; 25 Jessel House, Judd Street, London WC1H 9NX (GB). MAY, Stuart, Richard; 45 Parfrey Street, Hammersmith, London
- W6 9EW (GB). BLACK, Murdo, M.; High Trees, Shaw Valley Road, Martlesham, Ipswich IP12 4SH (GB).
- (74) Agents: GEMMELL, Peter, Alan et al.; Dummett Copp, 25 The Square, Martlesham Heath, Ipswich IP5 3SL (GB).
- (81) Designated States (national): AE, AG, AL, AM, AT, AU, AZ, BA, BB, BG, BR, BY, BZ, CA, CH, CN, CO, CR, CU, CZ, DE, DK, DM, DZ, EC, EE, ES, FI, GB, GD, GE, GH, GM, HR, HU, ID, IL, IN, IS, JP, KE, KG, KP, KR, KZ, LC, LK, LR, LS, LT, LU, LV, MA, MD, MG, MK, MN, MW, MX, MZ, NO, NZ, PL, PT, RO, RU, SD, SE, SG, SI, SK, SL, TJ, TM, TR, TT, TZ, UA, UG, UZ, VN, YU, ZA, ZW.
- (84) Designated States (regional): ARIPO patent (GH, GM, KE, LS, MW, MZ, SD, SL, SZ, TZ, UG, ZW), Eurasian patent (AM, AZ, BY, KG, KZ, MD, RU, TJ, TM), European patent (AT, BE, CH, CY, DE, DK, ES, FI, FR, GB, GR, IE, IT, LU, MC, NL, PT, SE, TR), OAPI patent (BF, BJ, CF,

[Continued on next page]

(54) Title: TEST DEVICE



(57) Abstract: A test device for testing of analyte concentration in a fluid to be applied thereto, the device comprising a plurality of test members (8) arranged in at least one stack and electrodes (26) for engaging with electrode tracks on a test member (8). A pusher (16) pushes a single test member from the stack so that it can engage with the electrodes. An actuation member (6) is operably connected to the pusher (16), and moves it when operated by a user. The or each stack of test members is enclosed in a magazine (10) which is initially sealed by a moisture impermeable seal (20), and means (22, 24) are provided for breaking the seal (20) and permitting a test member (8) to be pushed from the magazine (10) by the pusher (16) when the first test member (8) from the magazine (10) is to be used.



WO 02/08753 A2



CG, CI, CM, GA, GN, GQ, GW, ML, MR, NE, SN, TD, TG).

For two-letter codes and other abbreviations, refer to the "Guidance Notes on Codes and Abbreviations" appearing at the beginning of each regular issue of the PCT Gazette.

Published:

— *without international search report and to be republished upon receipt of that report*

- 1 -

TEST DEVICE

BACKGROUND OF THE INVENTION

5 1. Field of the Invention

The present invention relates to a test device for measuring the concentration of an analyte in a fluid sample, notably to a test device for analysing blood
10 glucose or other analytes in bodily fluids.

2. Description of the Prior Art

Diabetics regularly need to test samples of their blood to
15 determine the level of blood glucose. The results of such tests may be used to determine levels of medication needed to treat the diabetes at the time. In one known type of system, disposable sensors are used to test the blood. The sensors typically take the form of test strips which
20 are provided with a reagent material that will react with blood glucose to produce an electrical signal. Conductive tracks on the test strip relay the electrical signal to a meter which displays the result. After a sample of blood has been applied to the test strip and the measurement has
25 been taken, the test strip is disposed of. In order to couple the conductive tracks on a test strip with the meter, the test strip needs to be inserted into a sensor holder prior to the start of testing. The sensor holder has corresponding electrodes which are brought into
30 electrical contact with the conductive tracks of the test strip. Test devices are known in which a plurality of test strip are provided on a cartridge disc. Each strip

- 2 -

is housed in its own sensor slot, and means are provided to eject a test strip from its slot when required, and to automatically locate it in a sensor holder. Examples of test devices with test strip dispensers are described in 5 US Patent No. 5,660,791, European Patent Application No. 0 732 590, and European Patent Application No. 0 738 666.

A problem with test strips is that they have only a limited shelf life, and exposure of test strips to the 10 atmosphere reduces the shelf life further. Test strips open to the atmosphere will typically have a shelf life of about two to three months, whereas test strips which are sealed from the atmosphere will have a shelf life of about six to 12 months.

15

It has been proposed in WO 94/10558 to provide a stack of disposable test elements in a cylindrical housing, the stack being urged towards a test station to form a liquid-proof seal. In DE 196 39 226 A1 it is proposed to provide 20 a test device with a cartridge that may have a plurality of chambers containing test strips, each of which chambers may be individually sealed to preserve the shelf life of the strips therein. A user removes the seal for each chamber when required, and a timing circuit may be 25 activated either by the user or when the cartridge is pushed into the device. After a set time period has elapsed, an alarm or other indication reminds the user that the time period for using the strips has elapsed.

30 It is an object of the present invention to provide an improved test device.

SUMMARY OF THE INVENTION

According to one aspect of the present invention there is provided a test device for testing of analyte
5 concentration in a fluid to be applied thereto, the device comprising:

- a) a plurality of test members arranged in at least one stack, each of said test members carrying reagent means for producing an electrical signal in response to the
10 concentration of analyte in an applied fluid, each of said test members having a plurality of electrode tracks for transmitting said electrical signal;
- b) a housing having electrodes disposed therein for engaging with the electrode tracks on a test member at an
15 engagement location;
- c) a meter connected to the said electrodes and disposed at least partly in the housing, having electronics means for producing a signal output which is dependent on the electrical signal from a test member when the test member
20 is engaged with the said electrodes;
- d) a pusher which is adapted to push a single test member from the stack and into the engagement location where it can engage with the said electrodes and where the test member can be accessed to apply a fluid thereto;
- 25 e) an actuation member operably connected to the pusher, the said actuation member being operable by a user to move the pusher;
- f) the or each stack of test members being enclosed in a magazine which is initially sealed by a moisture
30 impermeable seal; and
- g) wherein means are provided for breaking the said seal and permitting a test member to be pushed from the

magazine by the pusher when the first test member from the said magazine is to be used.

The device may be disposable and may be pre-loaded with
5 all the test members. At the point of final assembly, test member and meter calibration constants, expiry date information and units of measurement may be downloaded into the meter by suitable means, for example via a bi-directional RS232 bus. This has the advantage that each
10 meter may be uniquely matched to the specific batch of test members used within the device. The meter and associated test members can be quality controlled as a single unit and by removing the need for a user to input calibration data, as in a conventional meter, user error
15 of this function may be eliminated.

The software may also prevent the device from being used outside the overall product expiry date and may be programmed to prevent test members from an opened magazine
20 from being used beyond its specific expiry period.

Because the seal on a magazine is automatically broken only when the first test member is to be used, the shelf life of each stack is maximised, and the user is not
25 required to take any action other than to operate the device.

The test members will typically be elongate test strips, and the invention will be described herein with reference
30 to such test strips. However it will be understood that the test members may be of any desired shape and profile.

- 5 -

In a preferred embodiment, a plurality of magazines are provided in a movable cartridge. Each magazine is sealed until a test strip therein is required for use, whereupon the cartridge moves to bring the magazine into a position
5 for use, and the seal is broken. This process is preferably automated and requires no user input. Any number of magazines may be employed, each containing any desired number of test strips. For example, each magazine may have 20 test strips and there may be 5 magazines, so
10 that the device is usable for 100 readings before being discarded.

The actuation member may be mechanically linked to the pusher, directly or indirectly, or it may be linked
15 electronically, for example by actuating an electric motor which drives the pusher. In a preferred embodiment the actuation member comprises a plunger which the user presses. The plunger may act on the pusher via another member, notably a sliding member which has a cam surface.
20 It will be appreciated that many other suitable arrangements may also be employed.

The seal may be broken on one side by a blade past which the magazine is moved, to permit a test strip to be pushed
25 out. The seal may be broken at the other side and along the top by one or more cutting surfaces at the leading edge of the pusher, so that the pusher initially both cuts the seal and pushes the top test strip to the engagement location. However, it would also be possible for the
30 pusher to cause the test strip to break through the seal without the need for a separate blade. To facilitate this, the region of the seal through which the test strip

- 6 -

will pass may be provided with a frangible line of weakness.

In a preferred embodiment, each test strip comprises a
5 base member having a working area to which the fluid is to
be applied, containing the reagent means, and a non-
working area adjacent to the working area, wherein the
total thickness of the test member in at least a portion
of the non-working area is at least as great as the total
10 thickness of the test member in the working area.

By making the non-working area at least as thick as the
working area, scuffing or abrasion of the working area in
a stack can be reduced. Moreover, if a compressive load
15 is applied to a stack of the test members, this may be
spread out over a greater area, thereby reducing the
possibility of compressive damage to the working area.

In a preferred embodiment, at least a part of the non-
20 working area is of greater total thickness than the
thickness of the working area. This further reduces the
likelihood of damage to the working area by scuffing or
abrasion when in a stack. The difference in thickness is
preferably from 1 to 20 μm , notably from 5 to 10 μm .

25
To build up the working area, a plurality of layers are
sequentially applied to the base layer, for example by
screen printing, typically with curing or drying steps
between the application steps. The layers which are
30 printed typically comprise electrode patterns, a reagent
layer, and a mesh layer (for spreading out an applied
fluid). As a result of the application of these layers,

- 7 -

the working area of a conventional electrochemical test strip is typically about 100 μm thicker than the non-working area, which contains the electrode tracks and, typically, a dielectric layer. A stack of 100 test strips
5 will therefore be about 10 mm thicker in the working area than in the non-working area. In a test strip in accordance with the present invention, at least a part of the non-working area may be made thicker by any suitable means. Suitable means include, for example: a printed
10 relief ink; an applied pad or tape; embossing of the base layer or an intermediate layer; or an extension of the mesh layer from the working area.

Further objects and advantages of the invention will be
15 apparent as the description proceeds.

BRIEF DESCRIPTION OF THE DRAWINGS

The invention will now be further described by way of
example with reference to the following drawings, in
5 which:

Figure 1 illustrates user actions in operating a test
device in accordance with the present invention;

10 Figure 2 shows the assembly of a cartridge for use in
the device of Figure 1;

Figure 3 illustrates the action of the pusher in
opening the seal on a magazine;

15

Figure 4 illustrates the action of the pusher on a
test strip;

Figure 5 shows a mechanism for operating the pusher;

20

Figure 6 is an exploded view of part of the device of
Figure 1;

25 Figure 7 is an exploded schematic view illustrating
the cartridge advance mechanism;

Figure 8 shows steps in the advance of a cartridge;

30 Figure 9 shows sectional views through part of the
cartridge advance mechanism at different stages;

Figure 10 illustrates an alternative embodiment in

- 9 -

which magazines are releasably connected together;
and

Figure 11 is a top plan view of a test strip in a
5 preferred embodiment of the invention.

DETAILED DESCRIPTION

The test device shown in Figure 1 comprises a housing 2
10 which houses a meter with a visible display 4, in this
example, an LCD. A plunger 6 is released for use by the
user pressing a release button which operates a catch.
Figure 1a shows the device after a user has depressed the
release button with his right index finger. To take a
15 reading of blood glucose concentration, the user partially
depresses the plunger 6 to an intermediate position,
causing a test strip to be presented for receiving a
sample of blood (Figure 1b). After the blood has been
applied to the test strip, a reading is displayed on the
20 display 4 (Figure 1c). The user then fully depresses the
plunger 6 so that it is again engaged by the catch,
causing the test strip to be ejected. The device is then
ready for another reading to be taken. Figure 1d
illustrates the device after the test strip has been
25 ejected and after the user has again pressed the release
button to free the plunger 6. The various mechanisms
involved in this process will be described below.

As shown in Figure 2, a stack of test strips 8 is loaded
30 in a magazine 10, which is in turn located in cavity 74 in
a cartridge 12. In this example there are five cavities
74, each of which houses spring means 14, in this example

- 10 -

a helical spring. Each cavity has an opening 18 through which a test strip 8 will be pushed by a pusher 16. The spring urges the stack of test strips 8 upwards so that the top strip is engageable by the pusher 16. A foil seal 20 seals the cavities 74 containing the magazines 10. The slitting of the foil seal 20 will be described below, with reference to Figure 3, which shows progressive movement of the pusher 16.

10 Advancement of the cartridge 12 moves it past a blade 22 which is mounted in the housing 2 of the test device. The blade 22 makes a slit in the foil seal 20 at one end, through which a test strip 8 is to be pushed. The pusher 16 is moved from one end of the cavity 74 to the other, as 15 illustrated by positions (1) through (5) of Figure 3. As the pusher 16 moves, cutting surfaces 24 on its leading edge cut the foil seal 20 and push the uppermost test strip 8 out through the opening 18 to the testing position (4) (corresponding to that shown in Figure 1b), where a 20 test reading can be taken. Fully depressing the plunger 6 moves the pusher 16 further towards the opening 18 and ejects the test strip 8. In subsequent drawings, the seal 20 is omitted for clarity.

25 Referring now to Figure 4, a mechanism is illustrated whereby movement of the pusher 16 from the position in Figure 4a initially pushes the test strip 8 out of the housing and then the head 28 of the pusher 16 bears down on the electrodes 26 of the meter so as to bring them into 30 engagement with electrode tracks on the test strip 8 (Figure 4b). After a reading has been taken, further advance of the pusher 16 (Figure 4c) takes the head 28

- 11 -

beyond the electrodes 26, which disengage from the test strip 8 and permit the pusher 16 to eject the test strip.

The mechanism for advancing the pusher 16 is illustrated in Figure 5. The assembly shown in Figure 5 comprises a slider 32 which is operatively connected to the plunger 6. The slider 32 is slidably mounted on a chassis top 36 which receives a groove plate 34. The groove plate 34 has a groove therein which receives a sprung detent member 52 of the slider 32, the function of which will be described later. Also provided on the slider 32 is a ratchet driver 44 which engages with a ratchet wheel 40, the operation of which will be described later. A ratchet driver guide 38 is provided on the housing base 42. The back housing member 46 (and front housing member 64 - Figure 6) have cartridge tracks therein, along which the cartridge 12 can move. In the start position shown in Figure 5a, the user presses the release button (not shown) where indicated by the arrow 30. This releases a catch 58 (Figure 6) on the slider 32. A spring 60 (Figure 6) pushes the plunger 6 and the slider 32 in the direction of the large arrow in Figure 5b. The slider 32 has a hockey stick-shaped slot 31 in which is received the pusher 16. As the slider 32 travels, it moves the pusher 16 in the direction of the small arrow 50 shown in Figure 5b. At 6 mm before the end of travel, the pusher 16 is removed from the cartridge 12. In the final 6 mm of travel the ratchet driver 44 indexes the ratchet wheel by one position, and advances the cartridge 12 so that the foil 20 on the first magazine 10 is slit at one end. The user then pushes the slider 32 to an intermediate position (Figure 5c) and in so doing, causes the pusher 16 to move back, with its cutting

- 12 -

surfaces cutting the foil as previously described, and pushing the uppermost test strip out of the housing 2. The slider 32 is held in the intermediate position by engagement of the sprung detent member 52 in the groove of the groove plate 34. The detent member 52 and groove plate 34 operate in the manner of a ballpoint pen advancing and retracting mechanism, with the detent member 52 cycling around the groove in the course of one test cycle. After a reading has been taken, the plunger 6 is then fully pushed in by the user (Figure 5d), causing the slider to return to the position shown in Figure 5a and causing the pusher to eject the used test strip 8. The slider 32 is now held in place until the next test reading is required. Figure 6 shows some of the components more clearly, including the chassis cartridge end 70 which has a cartridge drive spring 68. A pusher "parking slot" plug 56 is mounted in the back housing member 46, where the pusher 16 is kept away from the cartridge 12 to permit movement of the cartridge. An optional sensor exit slot plug 66 is provided in the front housing member 64. A PCB 54 provides the meter electronics. When the test device is first used, and when a magazine is first opened up, a microprocessor on the PCB starts a timer counting down whereby the display 4 indicates when a particular magazine has exceeded its recommended life, or in the event that all magazines have exceeded their shelf life.

Figure 7 shows the cartridge advance mechanism as an exploded schematic, with the cartridge in half-section. The cartridge 12 is urged by the spring 68 in the direction of the arrow 72. Underneath the cartridge 12 there is provided a plurality of cartridge location pegs

- 13 -

76, which are spaced apart by the width of the magazines, ie the distance between the centre lines of the magazines 10. There is a peg 76 for each cavity 74, and an additional leading peg on a front lip of the cartridge 12.

5 The ratchet wheel 40 has a keyway 78 thereon for the cartridge location pegs 76 to pass through as the cartridge 12 advances. The ratchet wheel is driven by the ratchet driver 44 which, cooperating with a pawl 62, drives the ratchet wheel 40 in a clockwise direction as

10 viewed in Figure 7. The ratchet driver 44 reciprocates in both directions (80), but is sprung only in the direction indicated by the arrow 82. A cartridge final stop member 84 is provided at the proximal end of the housing base 42.

15 After each advance of the cartridge 12, it remains stationary until the test strips in a magazine have been used up. At this point the cartridge 12 advances by the width of a magazine. The mechanism for controlling advance of the cartridge 12 is described with reference to

20 Figures 8 and 9. Starting from the position shown in Figure 8a, the ratchet mechanism is in a rest position ready for use. The centre line 86 of the active magazine 12 is in the keyway of the ratchet wheel 40. The user presses the release button and the ratchet driver 44

25 travels in the sprung direction (arrowed - Figure 8b). The ratchet driver 44 engages the ratchet wheel (Figure 8c) and rotates or indexes the ratchet wheel by one place (arrowed - Figure 8d). Figures 8d through 8h shows the cartridge advancement sequence. As the ratchet wheel 40

30 advances from the position shown in Figure 8e to that of Figure 8f, the two foremost location pegs 76 of cartridge 12 are freed to advance through the keyway 78. The

- 14 -

location peg 76 furthest to the left in Figure 8f acts against the inclined surface of the keyway 78 while exiting the keyway. This forces the ratchet wheel 40 to rotate one place (Figure 8g) while the second location peg 5 76 is moved to the centre of the ratchet wheel. The rotation of the ratchet wheel 40 presents a solid stop wall at the point 88 to the oncoming location peg. At the position shown in Figure 8h, the cartridge has advanced by one magazine width, and the location peg 76 of the 10 magazine behind the new active magazine comes to rest against the ratchet wheel stop wall, aligning the next magazine ready for use.

When the cartridge 12 is loaded in the housing during 15 manufacture, the front location peg 76 is located in the keyway 78 and the ratchet wheel 40 is located so that the first time the ratchet wheel is indexed, the foremost magazine 10 is advanced as describe above, and the seal is cut by the blade 22.

20 Because there are 20 test strips per magazine, and 20 teeth on the ratchet wheel, the ratchet wheel is constructed to permit cartridge advance only once during a complete (360°) rotation. Figures 8i and 9a show how, 25 with the ratchet wheel at position 10 (180° rotation), the cartridge 12 is prevented from premature advancement. The cartridge location peg 76 is prevented from entering the ratchet wheel keyway 78 through incorrect orientation and misalignment. The cartridge base 90 and location peg 76 30 are shown separated from the ratchet wheel in Figures 9a and 9b for clarity. With the ratchet wheel at position 11 (Figures 8j and 9b) the location peg 76 is also misaligned

- 15 -

with the ratchet keyway 78 and the cartridge does not advance.

An alternative embodiment is illustrated with respect to Figure 10. Here, the magazines are releasably connected together, in this example by a dovetail joint (Figure 10b). Used magazines 10 project through an opening in the housing and can be removed by the user. Figure 10a shows plan views before (top) and after (bottom) a used magazine has been slid off from its neighbour. In this embodiment the housing can be made smaller because it need not accommodate used magazines.

The test strip 8 shown in Figure 11 comprises a planar base member 92, in this example of poly(butylene terephthalate) (PBT) (Valox® FR-1 from GE Plastics). The strip is 30 mm x 5.5 mm, and 0.5 mm thick. A working area 94 is of conventional construction, comprising a plurality of electrodes, a reagent layer in intimate contact with the electrodes, and a mesh layer for spreading out a drop of fluid to be received on the working area. Electrode tracks 102, for example of carbon, in the non-working area 98 of the test strip are connected to the electrodes in the working area 94 in known manner. Also in known manner, a dielectric layer 96 is printed around the working area 94 so as to overlie a portion of the electrode tracks 102, leaving just the ends of the tracks exposed for connection to corresponding 26 electrodes on the meter. The layers are applied to the base member as inks, by screen printing. Each ink layer is about 10 to 20 μm thick, and the mesh is about 59 to 67 μm thick. The working area 94 has a total thickness which is about

- 16 -

100 μm thicker than the non-working area 98 up to the dielectric layer 96.

To increase the thickness of parts of the non-working area, a high relief ink 100 has been printed in four
5 strips. The high relief ink has a dried thickness such that the total thickness of the non-working area to which the high relief ink 100 has been applied is slightly greater than the total thickness of the test strip in the
10 working area 94. Thus, when a stack of such test strips 8 is formed, and a compressive load is applied to the stack by the spring 14, the working area 94 will not bear all the compressive load. Scuffing of the test area will be reduced compared to a conventional test strip in which the
15 working area stands proud of the non-working area.

Although this embodiment has been illustrated with reference to the use of a high relief ink printed in strips, it will be understood that it is not limited to
20 this embodiment. The ink could be printed as a continuous block, and it could entirely surround the working area if desired. Instead of, or in addition to, the high relief ink, other means could also be provided to increase the thickness of the non-working area, for example: an applied
25 pad or tape; embossing of the base layer or an intermediate layer; or an extension of the mesh layer from the working area into the non-working area.

Although the invention has been described with reference
30 to a test device for measuring blood glucose concentration, it is to be understood that the invention is not limited to this application. The invention may be

used in the determination of any analyte in a fluid by the use of suitable reagents in the test strip. Such reagents are well known to those skilled in the art.

- 18 -

CLAIMS

1. A test device for testing of analyte concentration in a fluid to be applied thereto, the device comprising:
- 5 a) a plurality of test members arranged in at least one stack, each of said test members carrying reagent means for producing an electrical signal in response to the concentration of analyte in an applied fluid, each of said test members having a plurality of electrode tracks for
10 transmitting said electrical signal;
 - b) a housing having electrodes disposed therein for engaging with the electrode tracks on a test member at an engagement location;
 - c) a meter connected to the said electrodes and disposed
15 at least partly in the housing, having electronics means for producing a signal output which is dependent on the electrical signal from a test member when the test member is engaged with the said electrodes;
 - d) a pusher which is adapted to push a single test
20 member from the stack and into the engagement location where it can engage with the said electrodes and where the test member can be accessed to apply a fluid thereto;
 - e) an actuation member operably connected to the pusher, the said actuation member being operable by a user
25 to move the pusher;
 - f) the or each stack of test members being enclosed in a magazine which is initially sealed by a moisture impermeable seal; and
 - g) wherein means are provided for breaking the said seal
30 and permitting a test member to be pushed from the magazine by the pusher when the first test member from the said magazine is to be used.

2. A device as claimed in claim 1, wherein the test members are arranged in a plurality of stacks, each one enclosed in a magazine which is initially sealed by a moisture impermeable seal, the magazines being movable so as to enable each in turn to reach a position in which the pusher can break the seal and push a test member therefrom.

10 3. A device as claimed in claim 1 or claim 2, wherein operation of the actuation member causes the pusher to engage with the electrodes and bring them into contact with the electrode tracks on the test member when the test member is in the engagement location.

15

4. A device as claimed in any one of the preceding claims, wherein further operation of the actuation member causes the pusher to push a test member from the engagement location and eject the test member from the housing.

20

5. A device as claimed in any one of the preceding claims, wherein blade means are provided in the housing for cutting the seal to form a slit through which a test member can pass when pushed by the pusher.

25

6. A device as claimed in claim 5, wherein the blade is fixed, and the magazine is movable so that the slit will be cut when the magazine moves.

30

7. A device as claimed in claim 1 wherein the pusher is provided with at least one cutting surface for cutting the

foil seal.

8. A device as claimed in claim 7, wherein the foil seal is provided with a frangible line of weakness at a location where a test member is to pass through, whereby when a test strip is urged against the said line of weakness by the pusher, the foil will break and permit passage of the test member.

9. A device as claimed in claim 2, wherein the cartridge is urged by spring means towards a ratchet wheel which has a keyway therein, the cartridge being provided with a plurality of spaced apart location pegs for locating in the keyway and the ratchet wheel only permitting entry of a location peg when the ratchet wheel is in a defined orientation.

10. A device as claimed in claim 9, wherein operation of the actuating member causes indexing of the ratchet wheel.

11. A device as claimed in any one of the preceding claims, further comprising a sliding member which has an angled slot therein which provides a cam surface that bears against the pusher, whereby movement of the sliding member in a first direction causes movement of the pusher in a second direction.

12. A device as claimed in any one of the preceding claims, further comprising spring means which urge the stack of test members towards the seal.

13. A device as claimed in any one of the preceding

- 21 -

claims, further comprising means for releasably detaining the pusher when the test member is in the engagement location.

5 14. A device as claimed in any one of the preceding claims, further comprising a processor and means for initiating a timer at a predetermined time or when a magazine is first opened, the processor being programmed to provide a visible warning or message if a magazine
10 which is in use exceeds its shelf life or if unopened magazines exceed their shelf life.

15 15. A test device as claimed in any one of the preceding claims, wherein the analyte to be tested for is glucose and the fluid to be applied is blood.

20 16. A test device as claimed in claim 2, wherein the magazines are releasably connected together and wherein the housing has an opening through which used magazines will project.

25 17. A test device as claimed in any one of the preceding claims, wherein each test member in the or each stack comprises a base member having a working area to which the fluid is to be applied, containing the reagent means, and a non-working area adjacent to the working area, wherein the total thickness of the test member in at least a portion of the non-working area is at least as great as the total thickness of the test member in the working
30 area.

18. A test device as claimed in claim 17, wherein the

- 22 -

total thickness of the test member in at least a part of the non-working area is greater than the total thickness of the test member in the working area.

- 5 19. A test device for testing of analyte concentration in a fluid to be applied thereto substantially as herein described with reference to or as shown in the drawings.

1/11

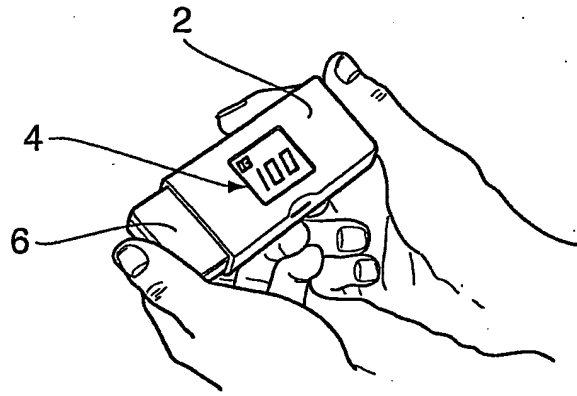


Fig. 1a

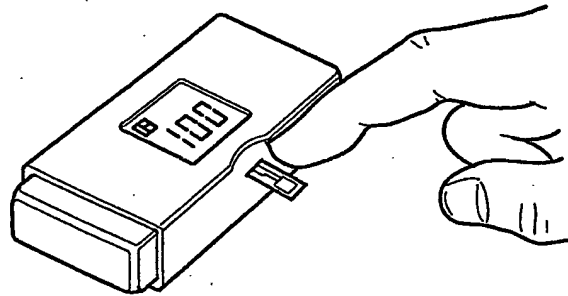


Fig. 1b

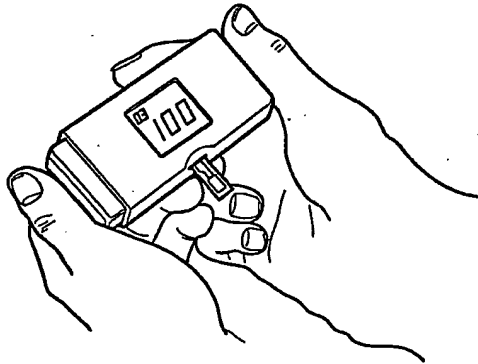


Fig. 1c

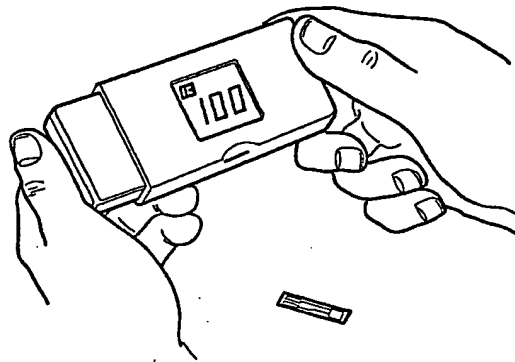


Fig. 1d

2/11

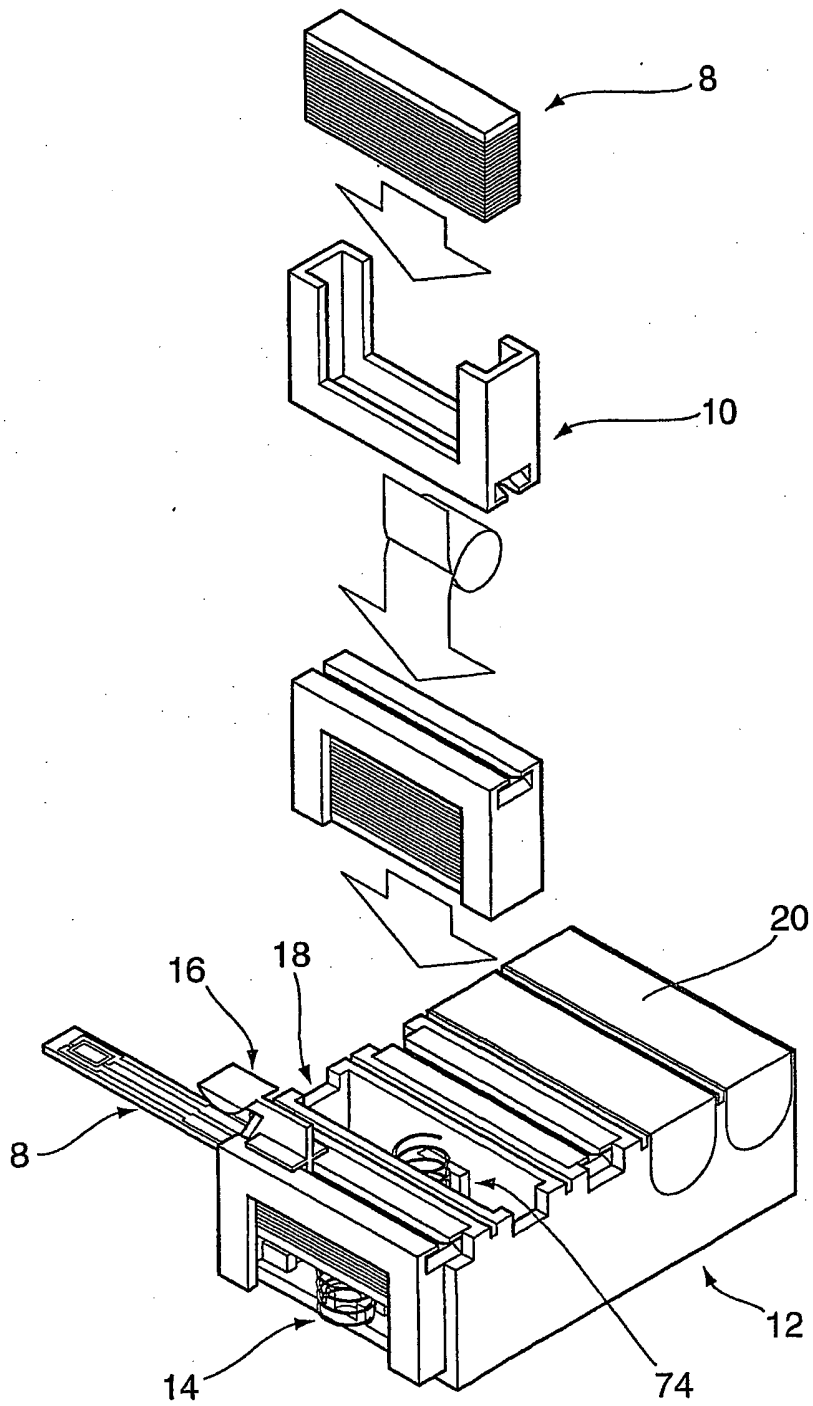


Fig. 2

3/11

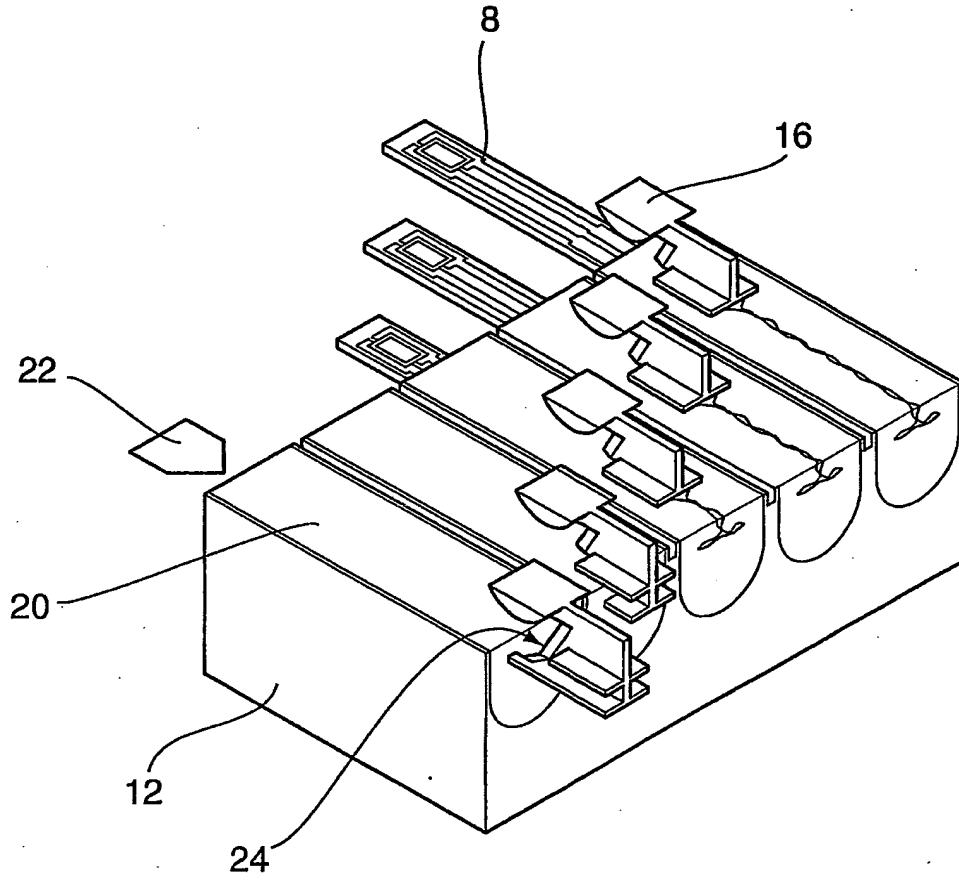
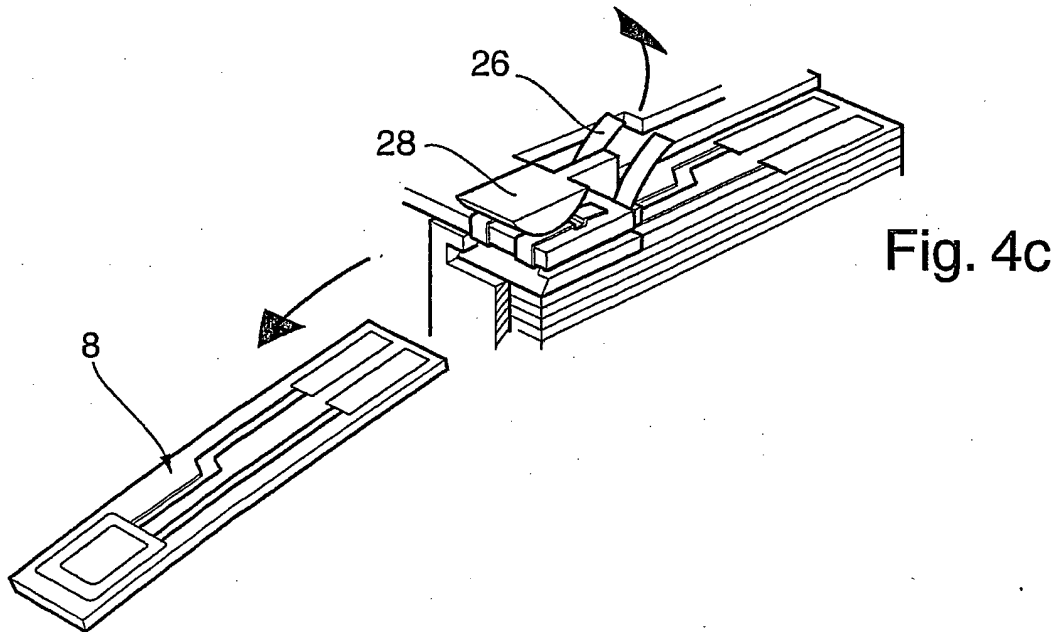
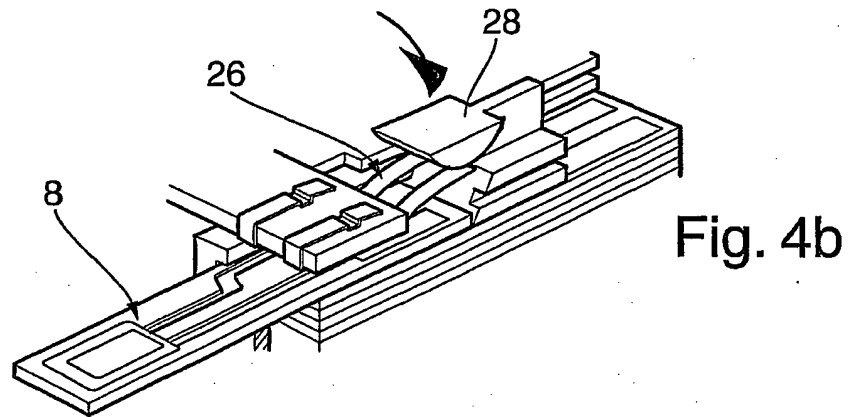
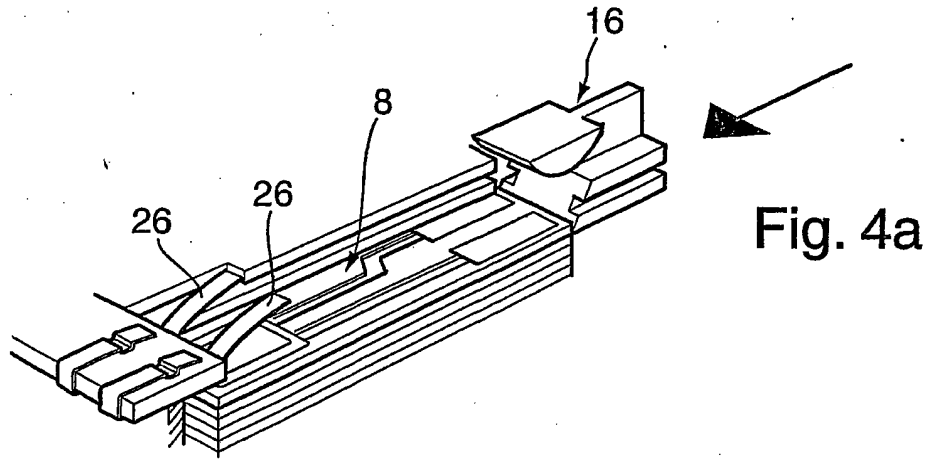
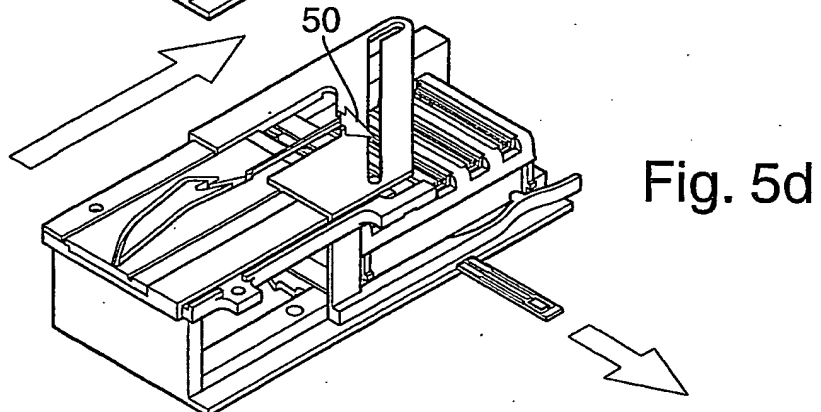
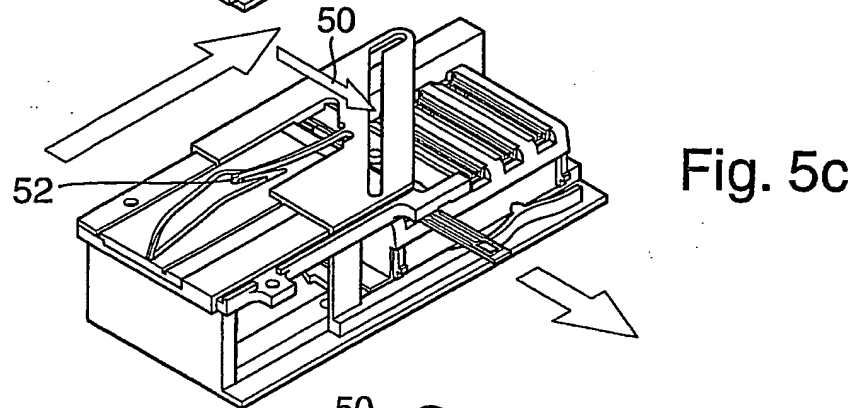
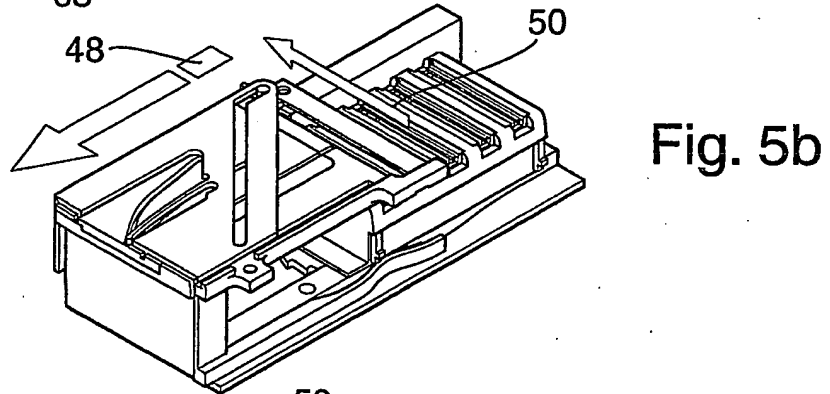
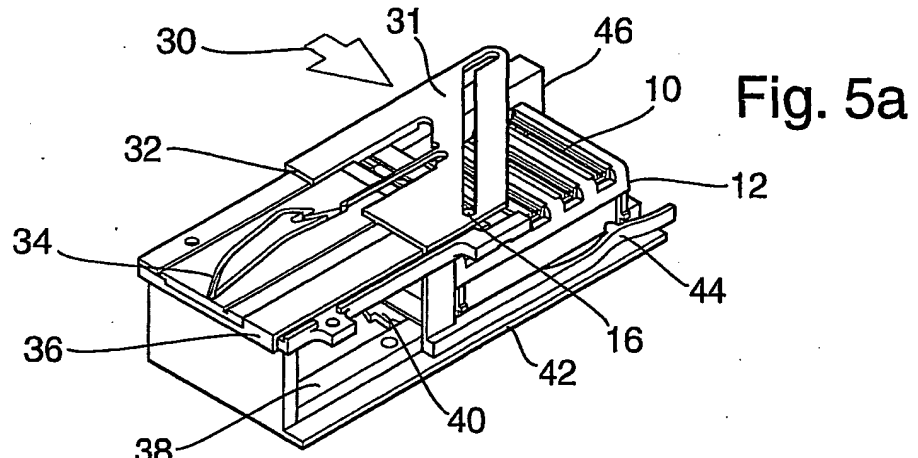


Fig. 3

4/11



5/11



6/11

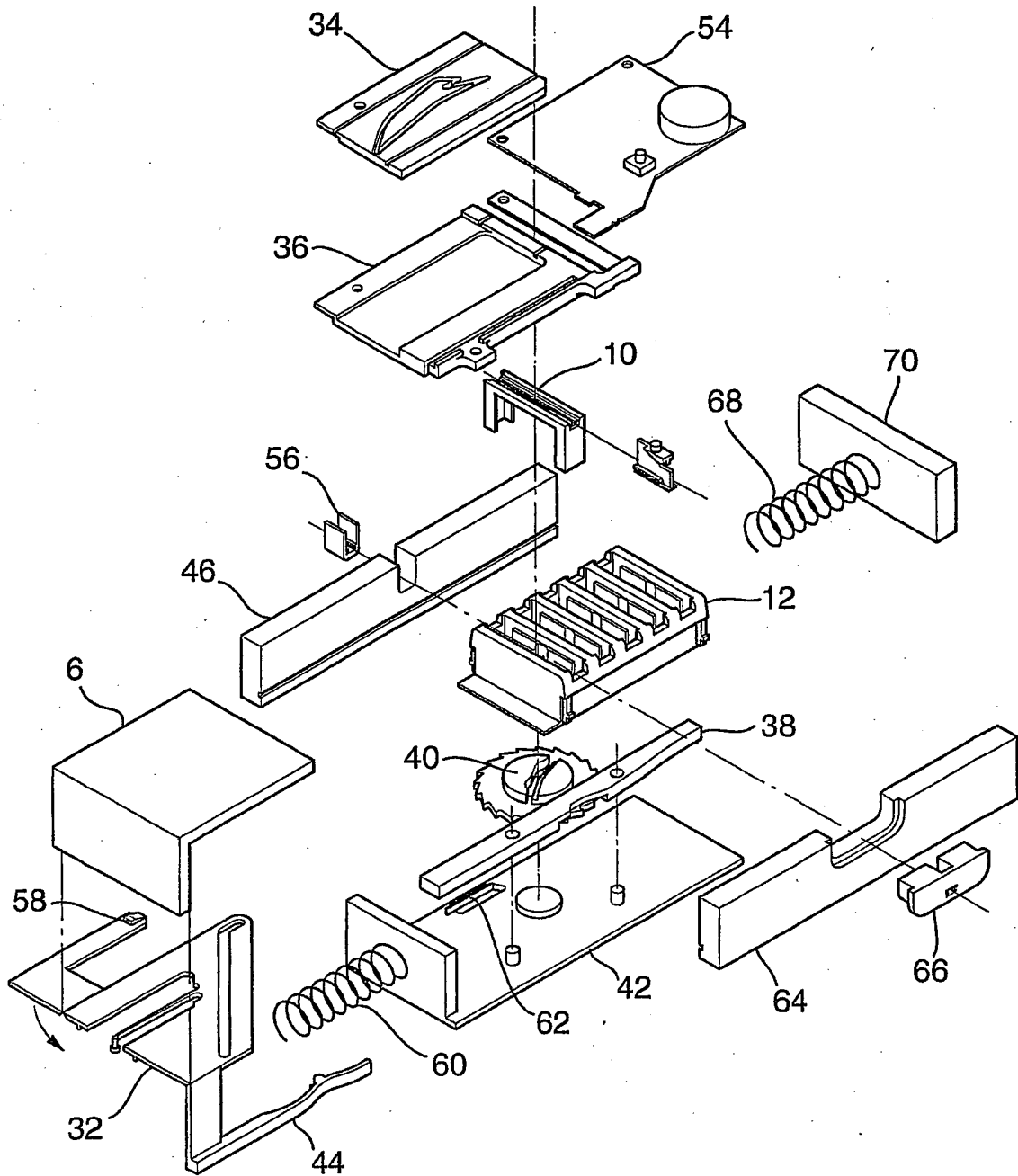


Fig. 6

7/11

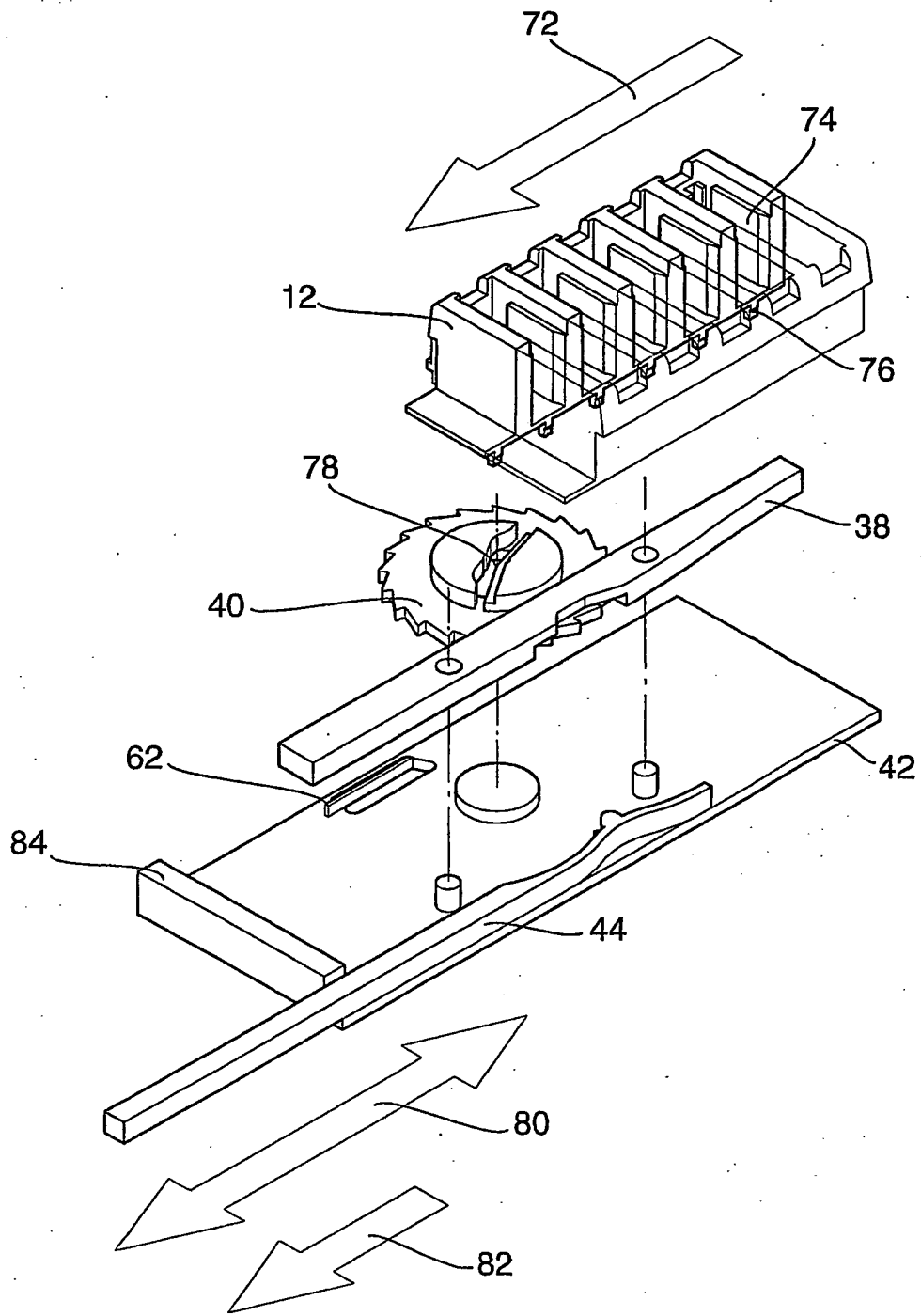


Fig. 7

8/11

Fig. 8a

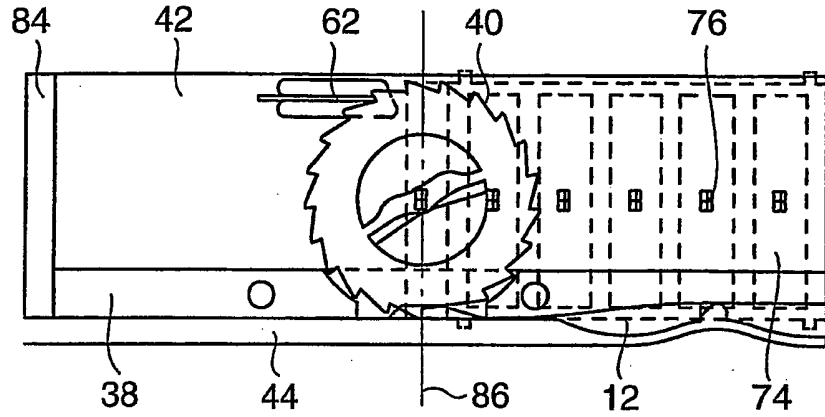


Fig. 8b

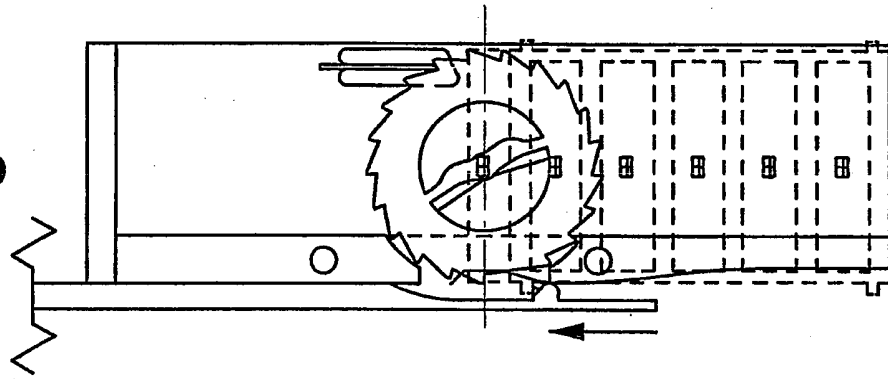


Fig. 8c

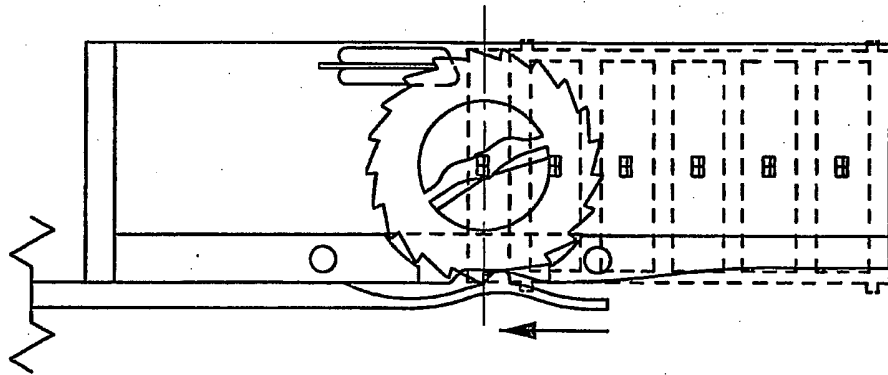
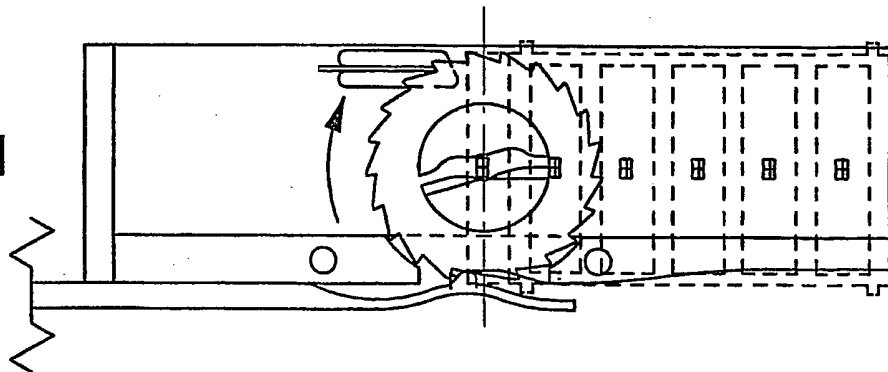
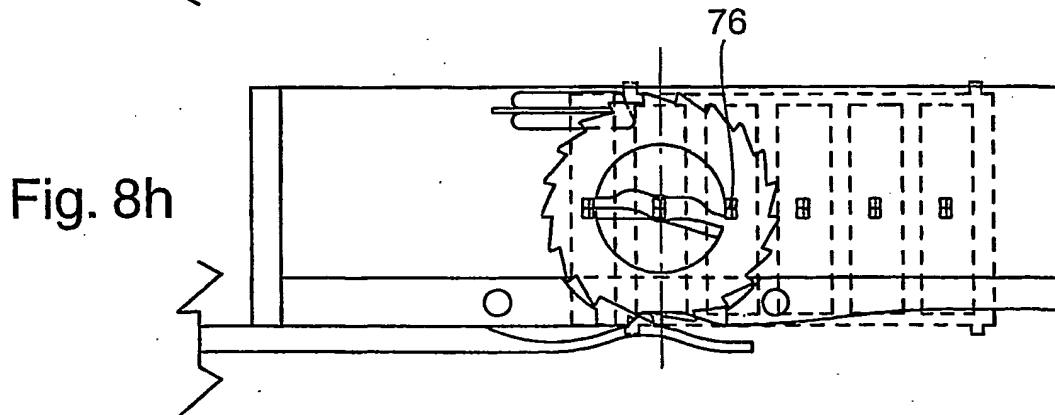
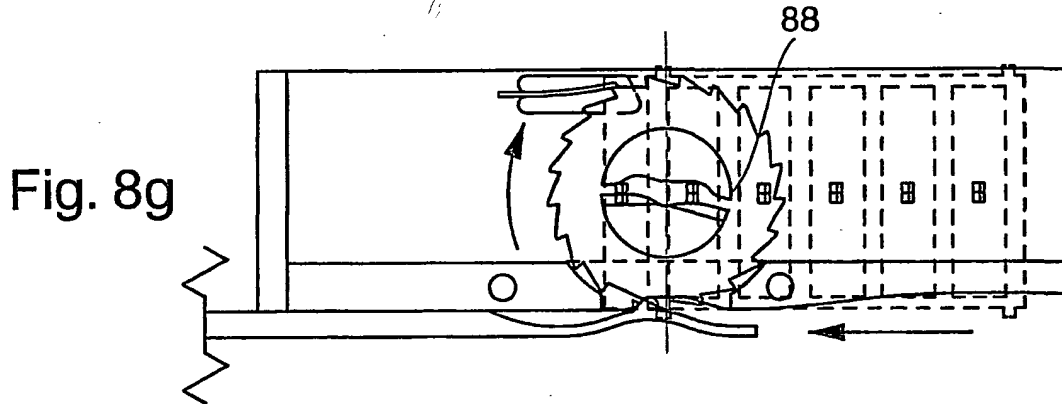
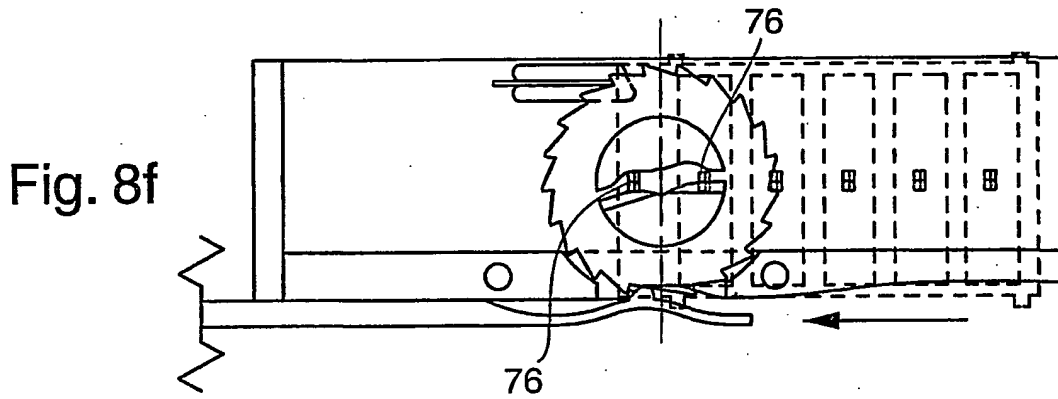
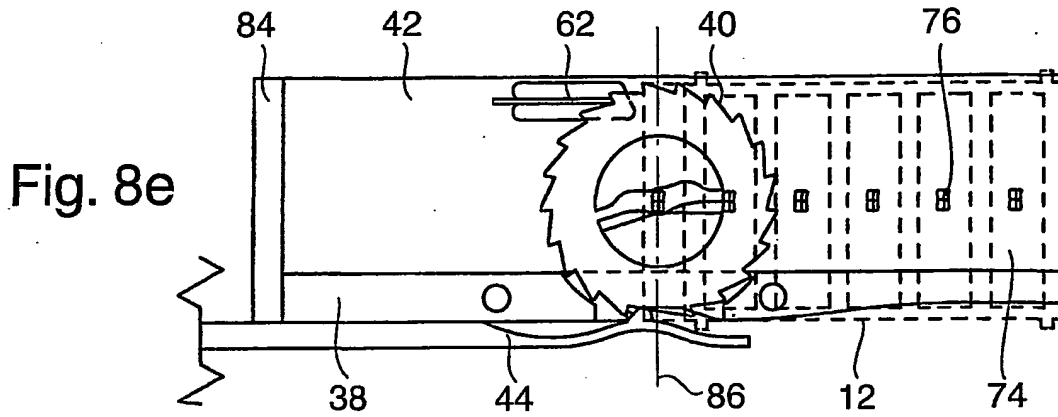


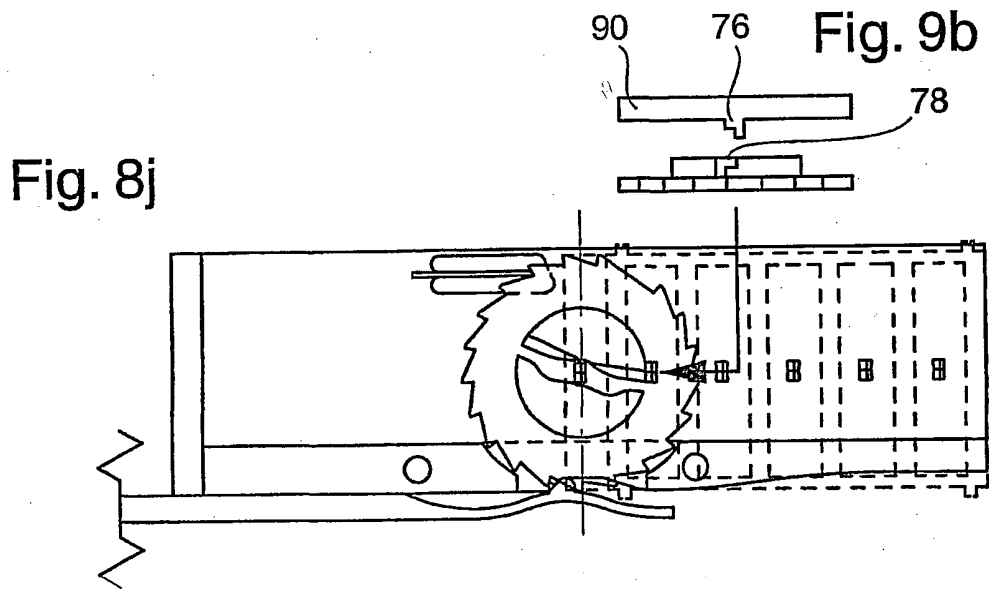
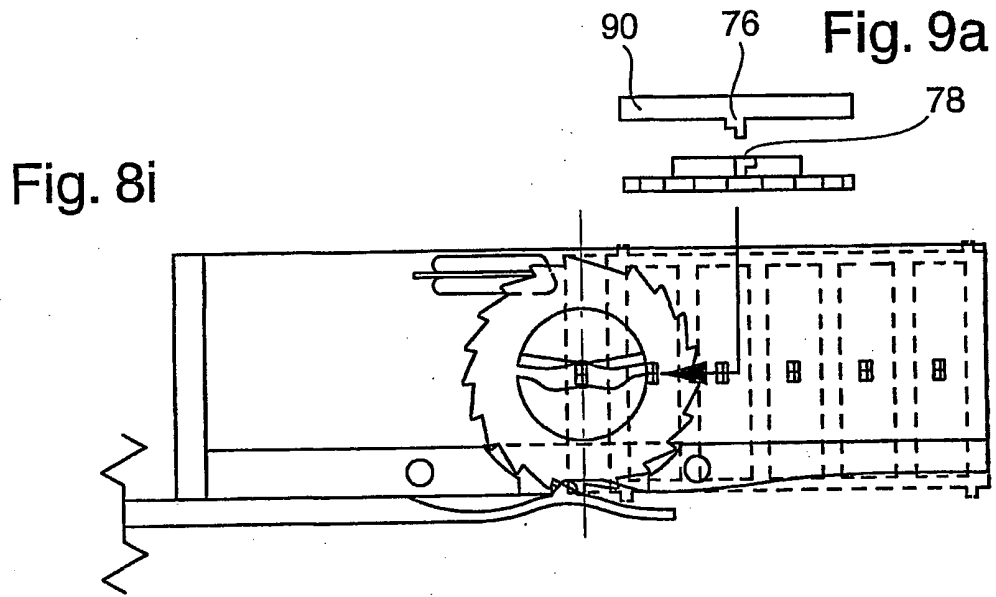
Fig. 8d



9/11



10/11



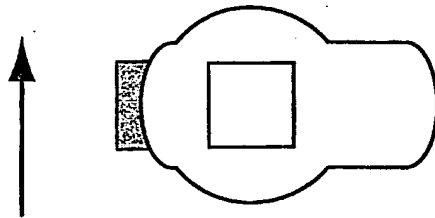
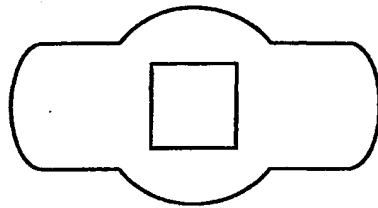


Fig. 10a

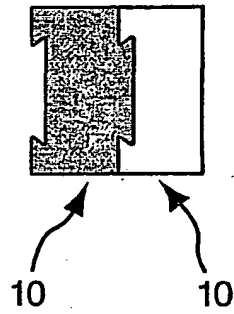


Fig. 10b

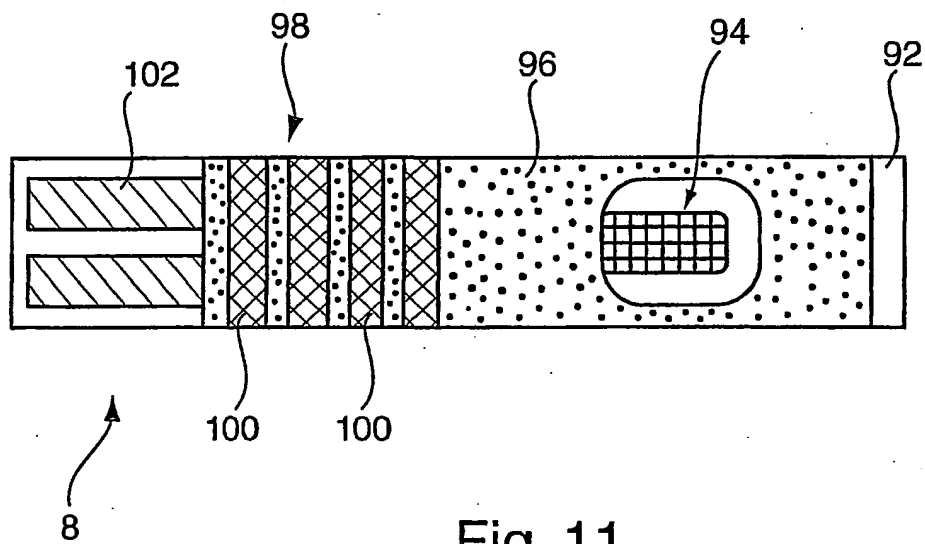


Fig. 11

THIS PAGE BLANK (USPTO)